

DoersWindow
MANUFACTURING
4901 Oak Fair Blvd., Tampa, FL 33610

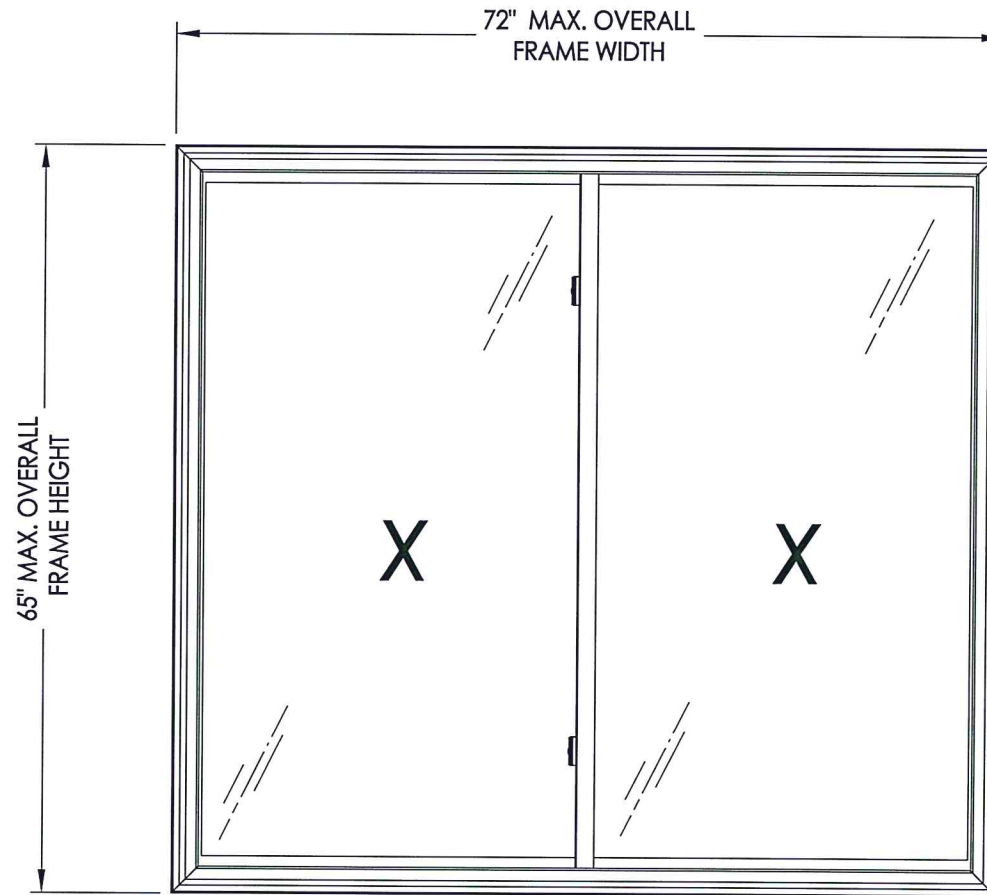
DuraGard Slider XX

"NON-IMPACT"

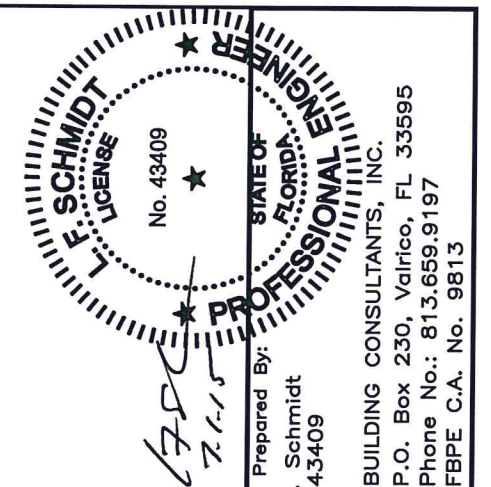
GENERAL NOTES

1. This product anchoring drawing has been evaluated and is in compliance with the 5th Edition (2014) Florida Building Code (FBC) excluding the "High Velocity Hurricane Zone" (HVHZ). See the Certification Agency Certificate for sizes, specifications & ratings.
2. Product anchors shall be as listed and spaced as shown on details. Anchor embedment to base material shall be beyond wall dressing or stucco.
3. When used in areas requiring wind borne debris protection this product is required to be protected with an impact resistant covering that complies with Section 1609.1.2 of the FBC.
4. Site conditions that deviate from the details of this drawing require further engineering analysis by a licensed engineer or registered architect.

TABLE OF CONTENTS	
SHEET#	DESCRIPTION
1	Typical elevations, design pressures & general notes
2	Vertical & horizontal cross sections
3	Vertical & horizontal cross sections
4	Buck & frame anchoring
5	Bill of materials, glazing details and components



FRAME DIMENSION	DAY LIGHT DIMENSION	GLASS TYPE	DESIGN PRESSURE (PSF)	
			POS.	NEG.
72.0" x 65.0"	32.56" x 58.5"	G1	+30.0	-30.0
72.0" x 56.0"	32.56" x 49.5"	G1	+35.0	-35.0



Documents Prepared By:
Lyndon F. Schmidt
P.E. No. 43409

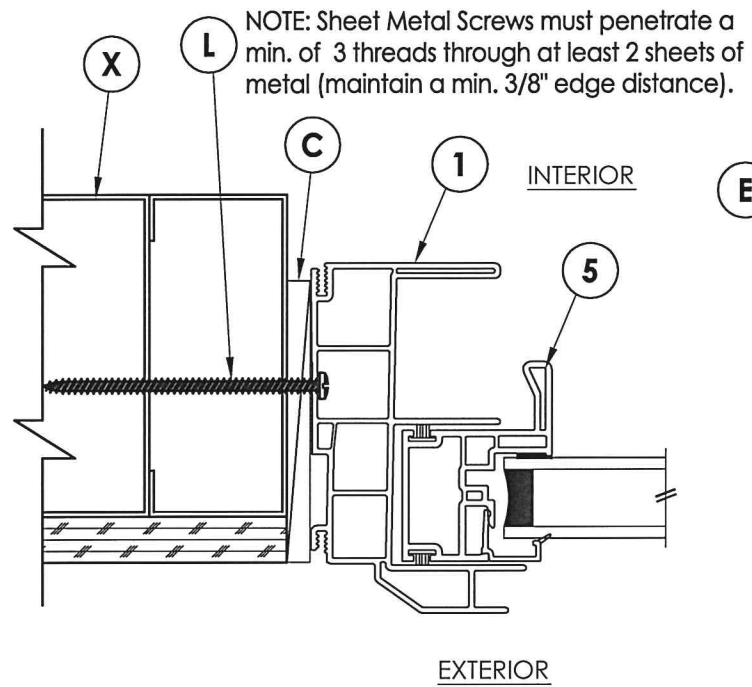
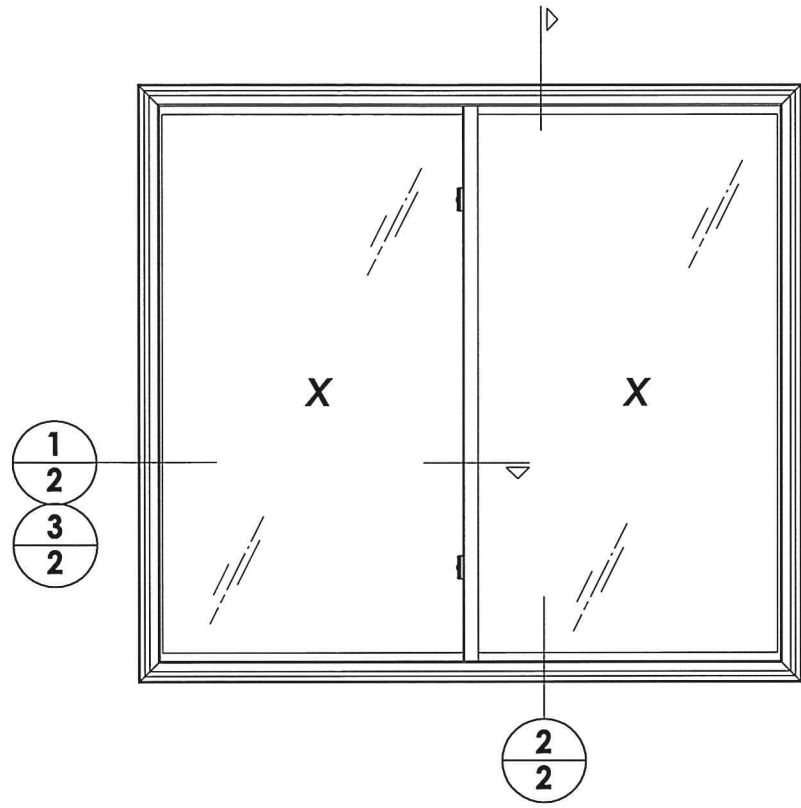
R.W. BUILDING CONSULTANTS, INC.
P.O. Box 230, Valrico, FL 33595
Phone No.: 813.659.9197
FBPE C.A. No. 9813

PRODUCT: HORIZONTAL SLIDER

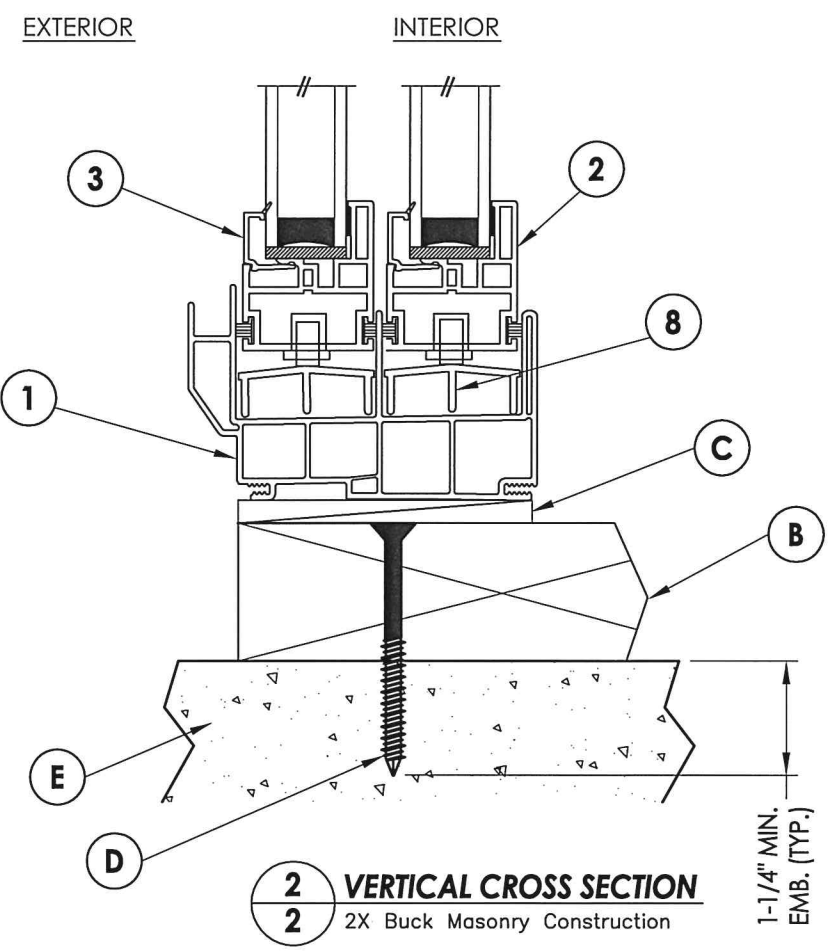
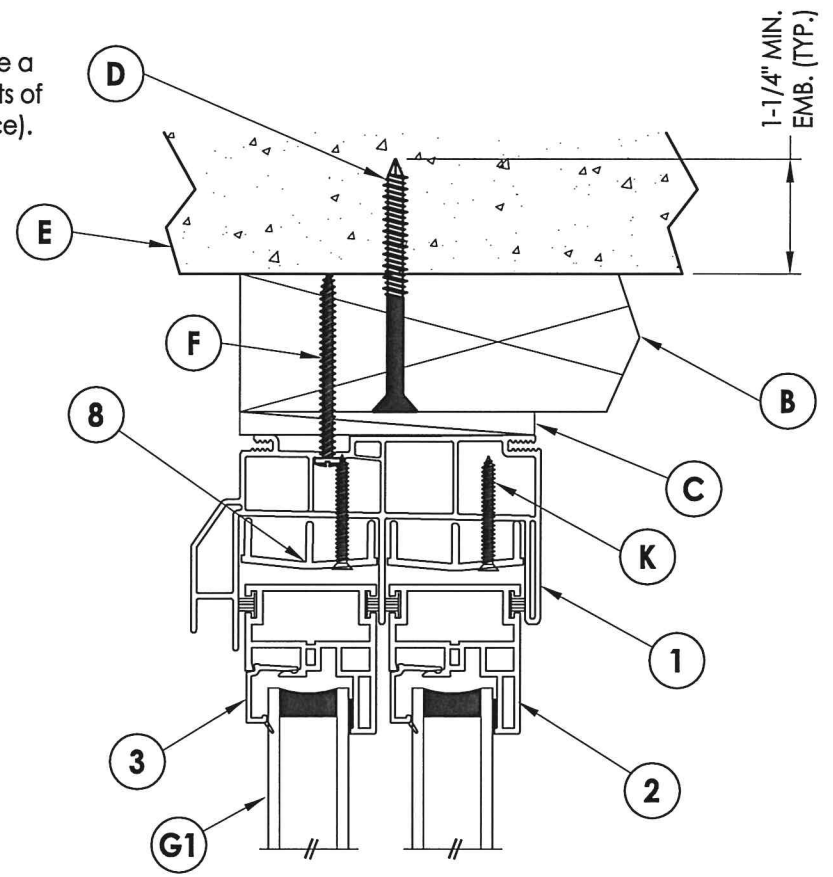
PART OR ASSEMBLY: TYPICAL ELEVATION, DESIGN PRESSURES & GENERAL NOTES

NO.	DATE	REVISIONS
1	6/25/15	UPDATE TO 5TH ED. (2014) FBC

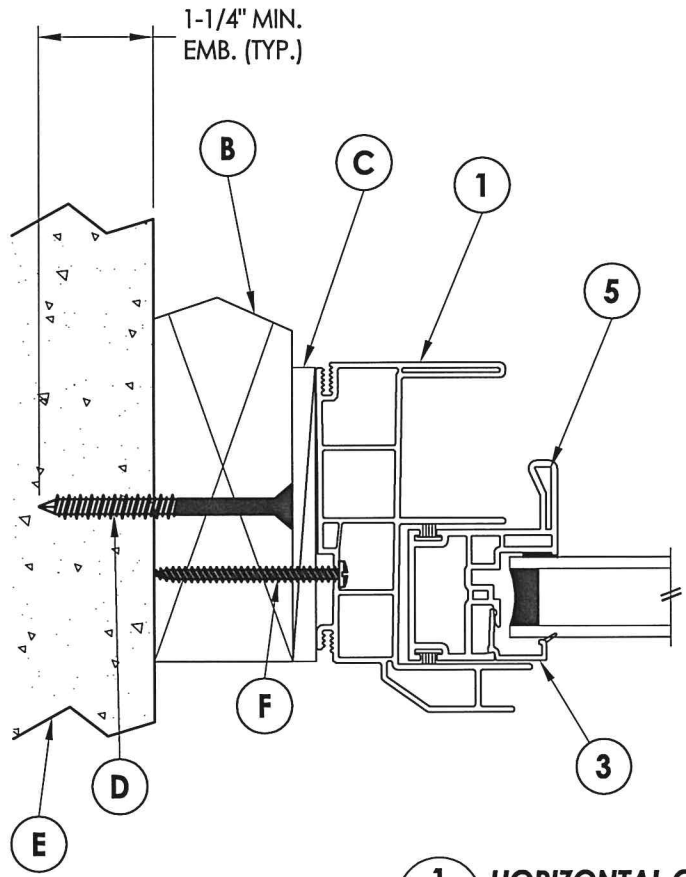
DATE: 3/20/12
SCALE: N.T.S.
DWG. BY: JK
CHK. BY: LFS
DRAWING NO.: FL-16853.14
SHEET 1 OF 5



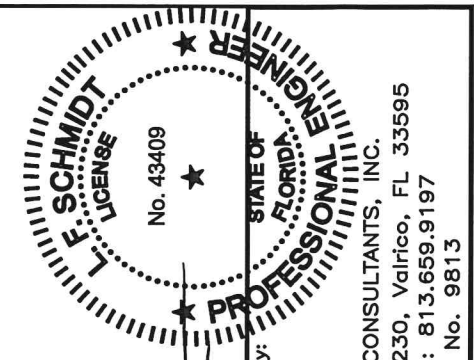
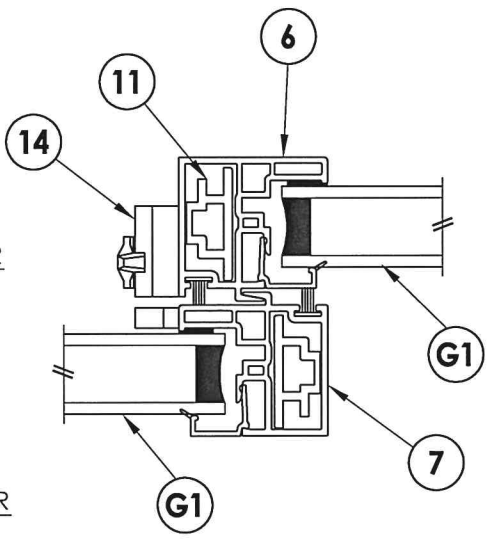
3 HORIZONTAL CROSS SECTION
2 Steel Stud Construction



2 VERTICAL CROSS SECTION
2 2X Buck Masonry Construction



1 HORIZONTAL CROSS SECTION
2 2X Buck Masonry Construction



Documents Prepared By:
Lyndon F. Schmidt
P.E. No. 43409

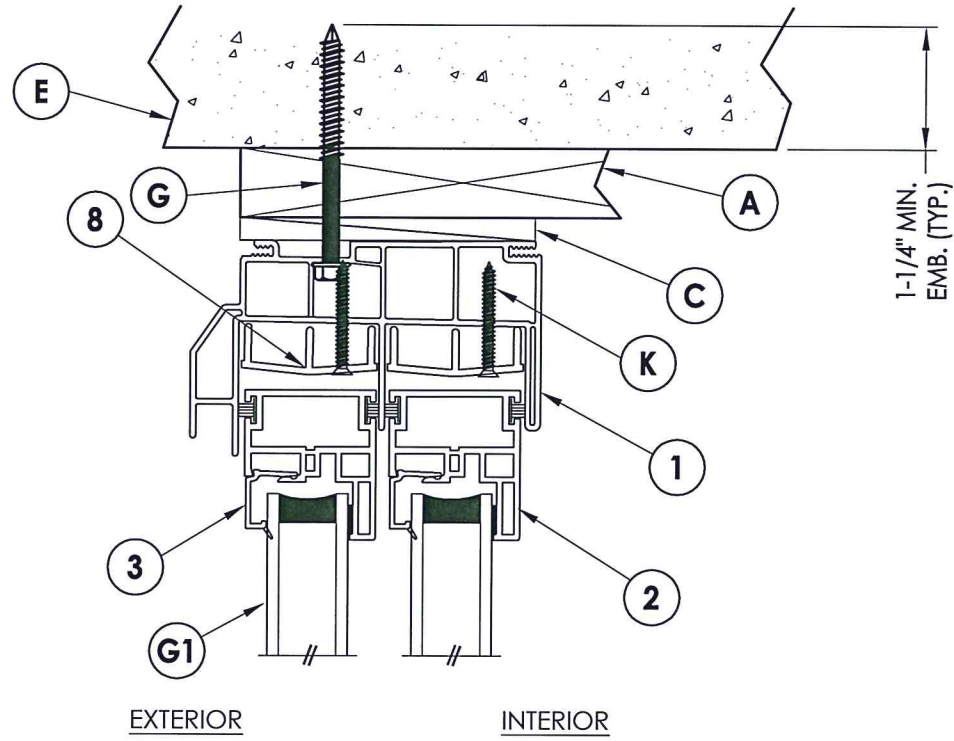
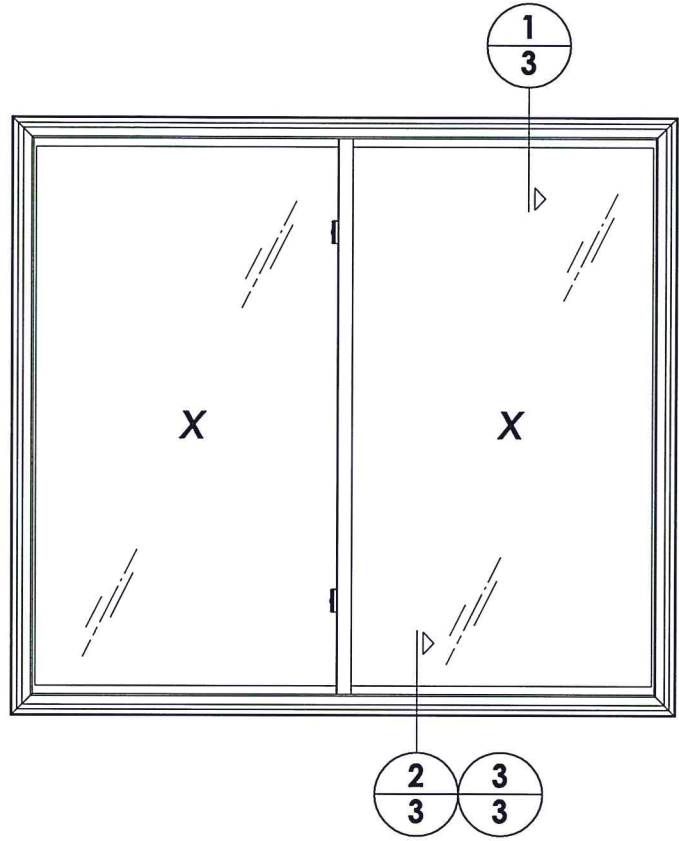
RW
BUILDING CONSULTANTS, INC.
P.O. Box 230, Valrico, FL 33595
Phone No.: 813.659.9197
FBPE C.A. No. 9813

PRODUCT:
HORIZONTAL SLIDER

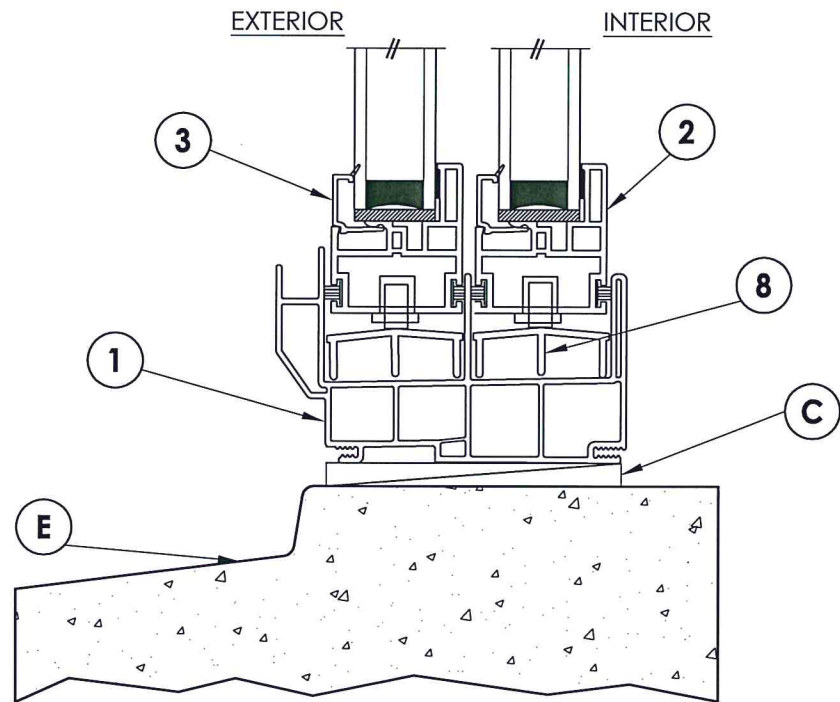
PART OR ASSEMBLY:
VERTICAL & HORIZONTAL CROSS SECTIONS

NO.	DATE	REVISIONS
1	6/25/15	UPDATE TO 5TH ED. (2014) FBC

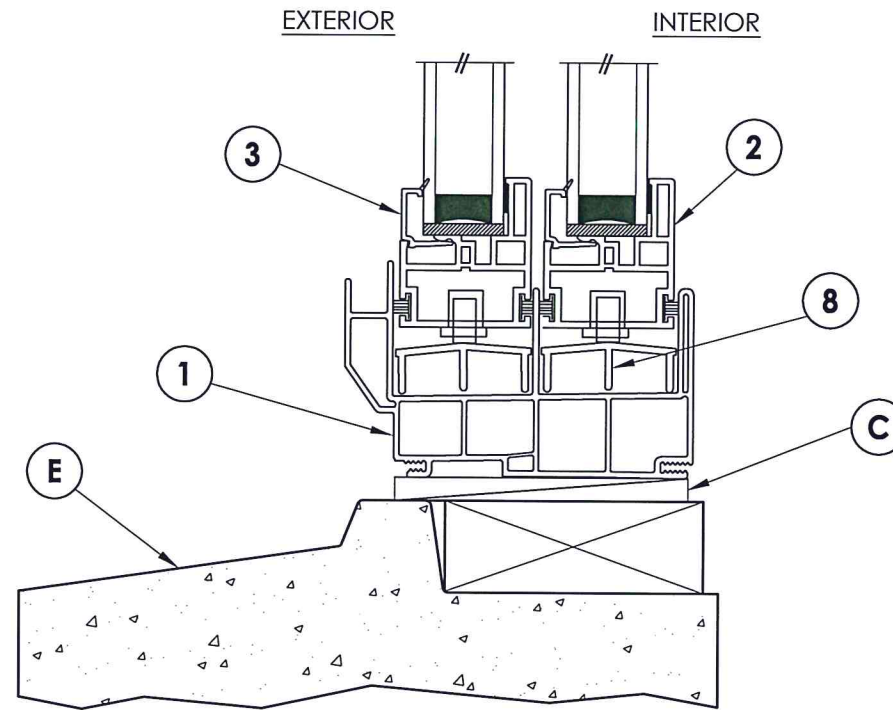
DATE: 3/20/12
SCALE: N.T.S.
DWG. BY: JK
CHK. BY: LFS
DRAWING NO.: FL-16853.14
SHEET 2 OF 5



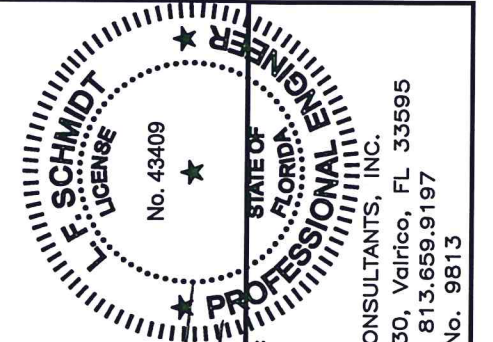
1
3
VERTICAL CROSS SECTION



2
3
VERTICAL CROSS SECTION
Masonry sill



3
3
VERTICAL CROSS SECTION
Masonry sill



Documents Prepared By:
Lyndon F. Schmidt
P.E. No. 43409

7.1.15

R.W. BUILDING CONSULTANTS, INC.
P.O. Box 230, Vairico, FL 33595
Phone No.: 813.659.9197
FBPE C.A. No. 9813

PRODUCT: HORIZONTAL SLIDER

PART OR ASSEMBLY: VERTICAL & HORIZONTAL CROSS SECTIONS

NO.	DATE	REVISIONS	BY
1	6/25/15	UPDATE TO 5TH ED. (2014)	LFS

DATE: 3/20/12

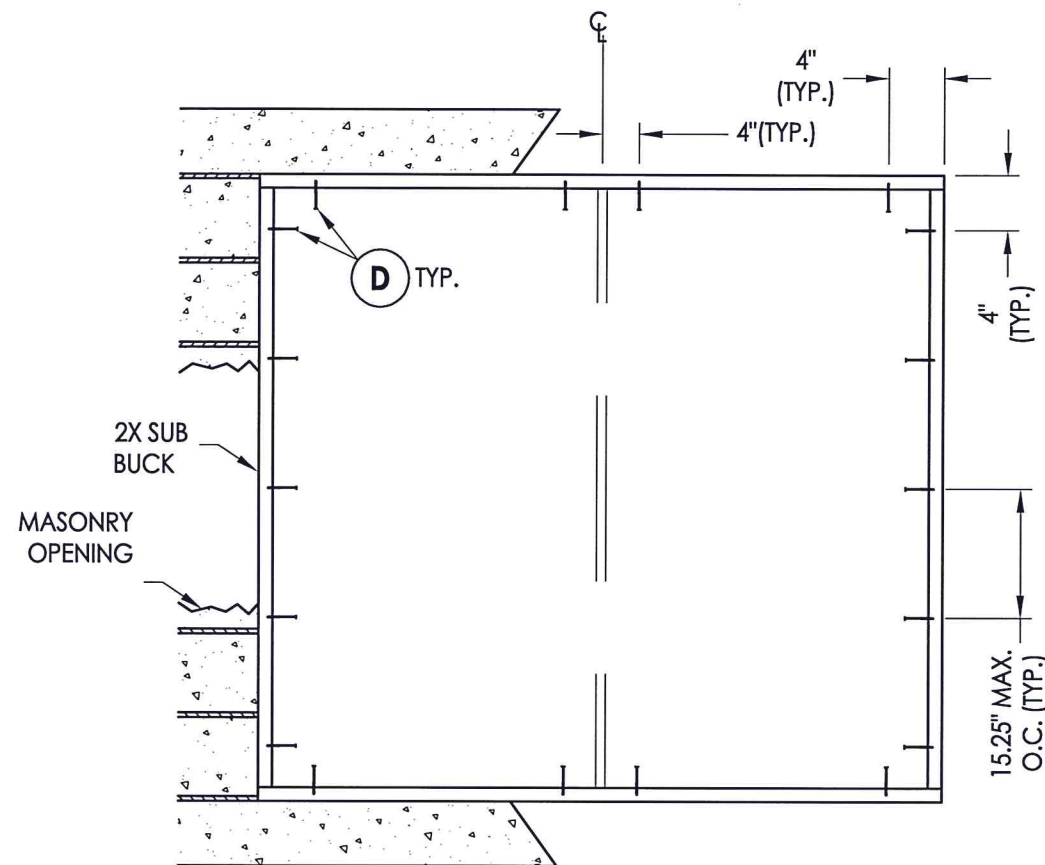
SCALE: N.T.S.

DWG. BY: JK

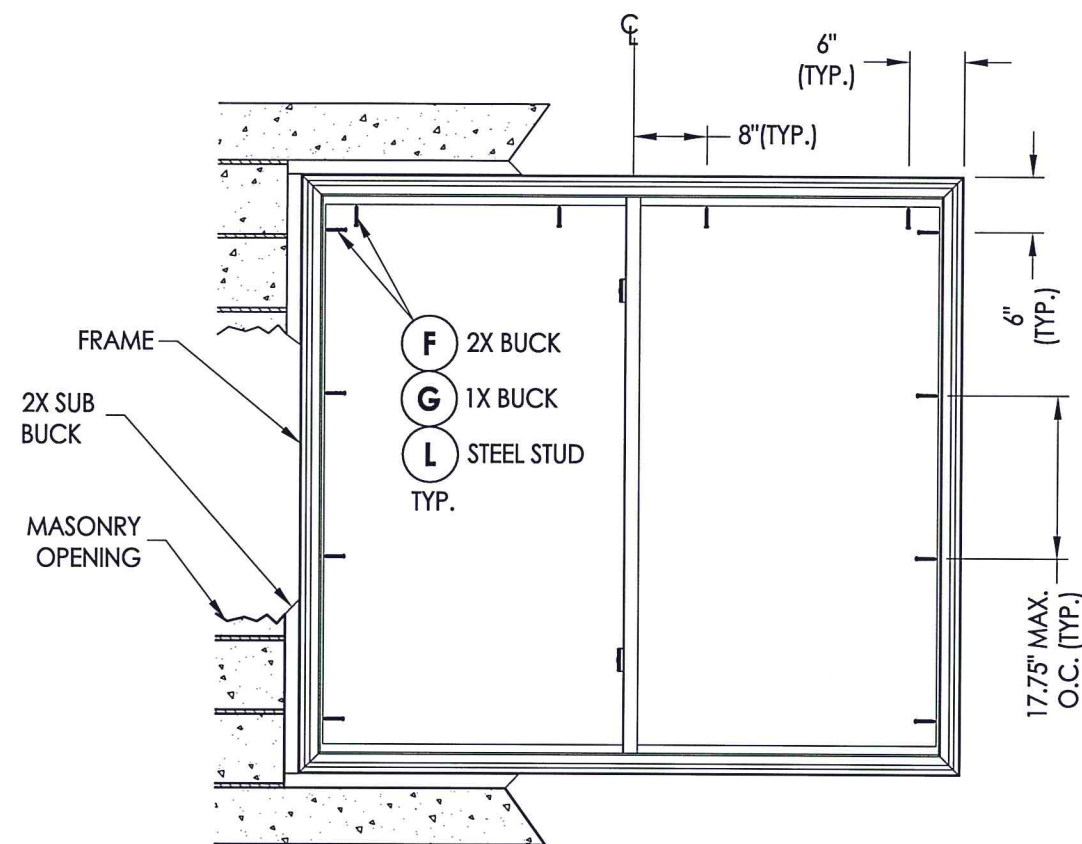
CHK. BY: LFS

DRAWING NO.: FL-16853.14

SHEET 3 OF 5



2X BUCK ANCHORING



FRAME ANCHORING

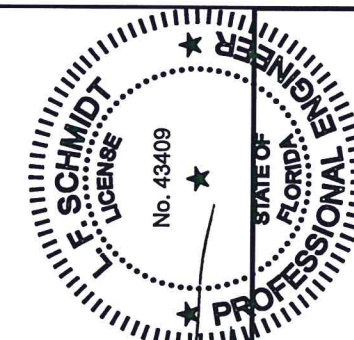
CONCRETE ANCHOR NOTES:

1. Concrete anchor locations at the corners may be adjusted to maintain the min. edge distance to mortar joints.
2. Concrete anchor locations noted as "MAX. ON CENTER" must be adjusted to maintain the min. edge distance to mortar joints, additional concrete anchors may be required to ensure the "MAX. ON CENTER" dimension are not exceeded.
3. Concrete anchor table:

ANCHOR TYPE	ANCHOR SIZE	MIN. EMBEDMENT	MIN. CLEARANCE TO MASONRY EDGE	MIN. CLEARANCE TO ADJACENT ANCHOR
ITW TAPCON®	1/4"	1-1/4"	2"	4"
ELCO ULTRACON®	1/4"	1-1/4"	1"	4"

WOOD SCREW INSTALLATION NOTES:

1. Maintain a minimum 5/8" edge distance, 1" end distance, & 1" o.c. spacing of wood screws to prevent the splitting of wood.



Documents Prepared By:
Lyndon F. Schmidt
P.E. No. 43409

LFS
7.1.15

RW
BUILDING CONSULTANTS, INC.
P.O. Box 230, Valrico, FL 33595
Phone No.: 813.659.9197
FBPE C.A. No. 9813

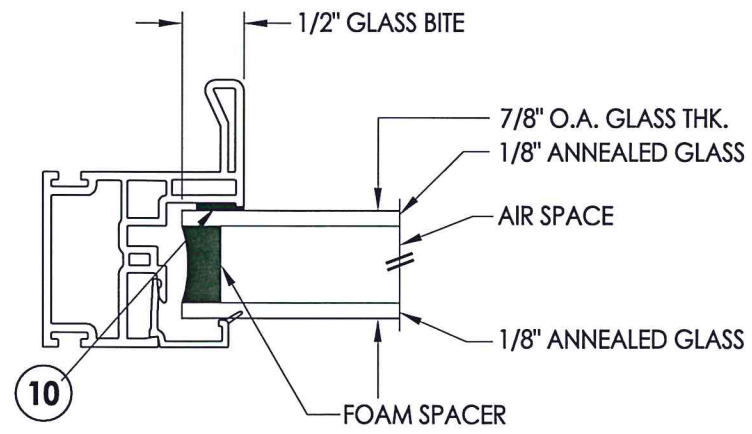
PRODUCT:	HORIZONTAL SLIDER
PART OR ASSEMBLY:	BUCK & FRAME ANCHORING
DATE:	3/20/12
SCALE:	N.T.S.
DWG. BY:	JK
CHK. BY:	LFS
DRAWING NO.:	FL-16853.14
SHEET	4 OF 5

R:\Clients\Doers PERMANENT\Florida Product Approvals\FL-16853 Windows - Horizontal Sliders\C - Drawings\FL-16853.13-18.dwg, 5.14

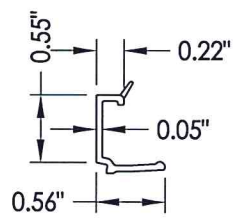
BILL OF MATERIALS

ITEM #	DESCRIPTION	MATERIAL
A	1X BUCK (SG >= 0.42)	WOOD
B	2X BUCK (SG >= 0.42)	WOOD
C	1/4" MAX. SHIM SPACE	-
D	1/4" X 2-3/4" PFH ELCO OR ITW CONCRETE SCREW	STEEL
E	MASONRY - 3,000 PSI MIN. CONCRETE CONFORMING TO ACI 301 OR HOLLOW BLOCK CONFORMING TO ASTM C90	CONCRETE
F	#10 X 2" PPH SMS (1-1/2" MIN. EMBEDMENT)	STEEL
G	1/4" X 2-3/4" HH ELCO OR ITW CONCRETE SCREW	WOOD
K	#6 X 1-1/4" PFH SMS	STEEL
L	#10 PPH SELF-DRILLING SMS	STEEL
X	STEEL STUD Min. Thk .033" (ASTM A653 GRADE 33 Fy=33 ksi min., Fu=45 ksi min.)	STEEL
1	FRAME *	PVC
2	SASH *	PVC
3	GLAZING BEAD *	PVC
4	GLASS SETTING BLOCK	PVC
5	PULL STILE*	PVC
6	LOCK STILE*	PVC
7	MEETING STILE*	PVC
8	ANTI-LIFT & SILL TRACK*	PVC
10	GLAZING SILICONE (DOW 1199)	-
11	REINFORCEMENT (6063 - T5)	ALUM
14	LOCK ASSEMBLY (TRUTH)	STEEL

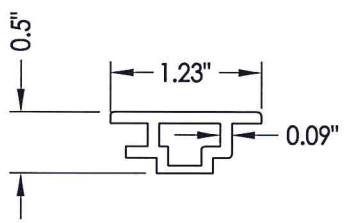
* THE APPROVED WHITE RIGID PVC EXTERIOR EXTRUSIONS FOR WINDOWS ARE TO BE PRODUCED BY EXTRUDERS LICENSEES IN "AAMA CERTIFICATION PROGRAMS FOR RIGID PVC EXTRUSIONS".



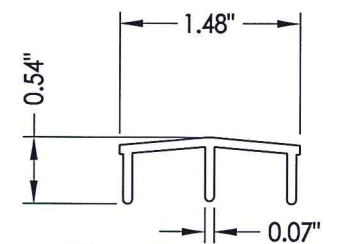
G1 GLAZING DETAIL



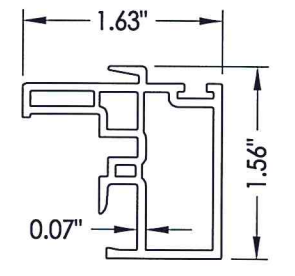
3 GLAZING BEAD
446B



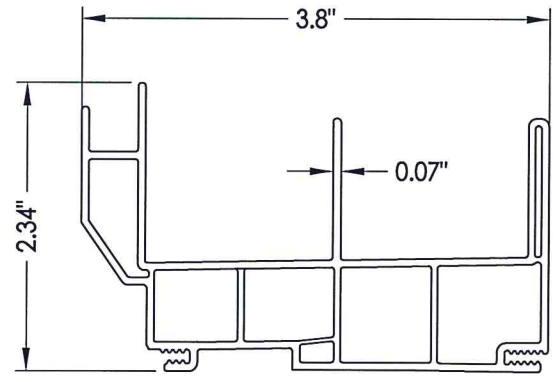
11 REINFORCEMENT
480



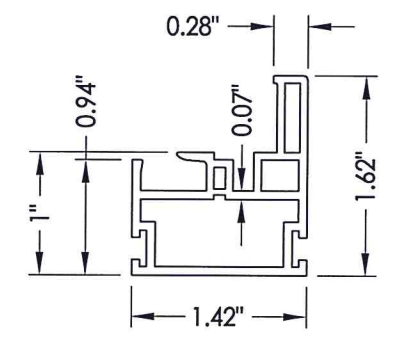
8 ANTI-LIFT & SILL TRACK
206



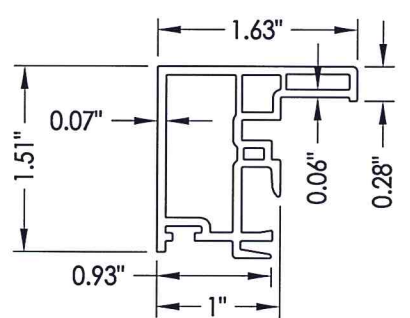
7 MEETING STILE
493B



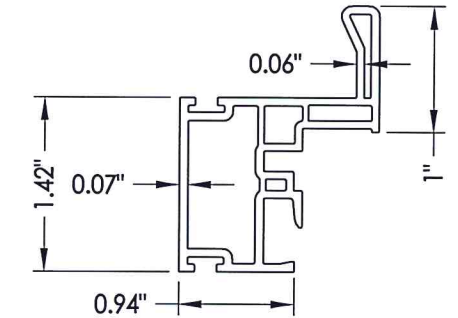
1 FRAME
444F



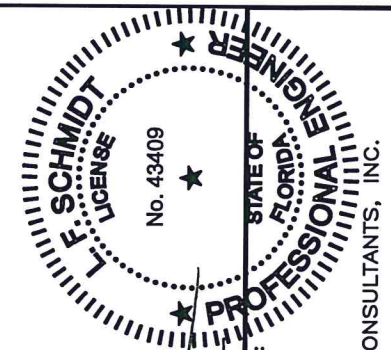
2 SASH
424B



6 LOCK STILE
494B



5 PULL STILE
475B



Documents Prepared By:
Lyndon F. Schmidt
P.E. No. 43409

R.W. BUILDING CONSULTANTS, INC.
P.O. Box 230, Valrico, FL 33595
Phone No.: 813.659.9197
FBPE C.A. No. 9813

PRODUCT:	HORIZONTAL SLIDER
PART OR ASSEMBLY:	BILL OF MATERIALS, GLAZING DETAIL & COMPONENTS
DATE:	3/20/12
SCALE:	N.T.S.
DWG. BY:	JK
CHK. BY:	LFS
DRAWING NO.:	FL-16853.14
SHEET	5 OF 5

© 2014 R.W. BUILDING CONSULTANTS INC.